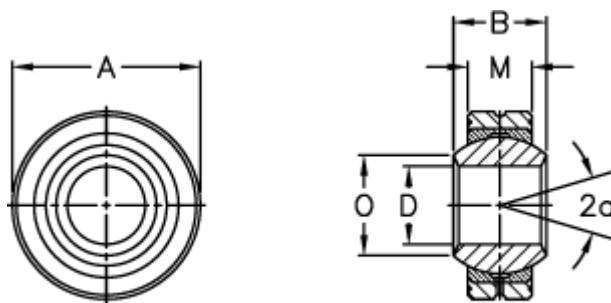


Article number: 03402003

Description: Fluro Rod end GLRS 3

Measures



Str. 3 uden smørerille

A	= 12	Static load C0 (kN) = 10.8
a (degrees)	= 14	Weight = 5
B	= 6	
D	= 3	
Dynamic load C (kN)	= 1.8	
M	= 4.5	
O	= 5.1	
Permissible rpm	= -	